

**Thinline Fire Damper • 1 5/8" Deep • 1 1/2 Hr. Rated • Curtain Blade • Vertical Mount • Static Rated • Galvanized Steel**

### STANDARD CONSTRUCTION

**FRAME:** 22-GA one-piece roll-formed galvanized steel.

**BLADE:** 22-GA galvanized steel curtain-type.

**FUSIBLE LINK:** UL-Listed 165°F, replaceable.

**FINISH:** Mill.

### OPTIONS

- 212°F Replaceable Fuse Link
- Factory Supplied Sleeve (20-GA through 10-GA)
- PK1202 Position Indicator Switch
- Tab-Lock Retaining Angles
- Pull Ring

### NOTES

1. Nominal deductions will be made to the opening size given.

### DAMPER SIZES

| Panels | Min Panel | Max Single Panel |
|--------|-----------|------------------|
| F      | 4"W x 4"H | 40"W x 40"H      |

### UNDERWRITERS LABORATORIES INC.®

CLASSIFIED STATIC FIRE DAMPER  
FIRE RESISTANCE RATING 1 1/2 HR

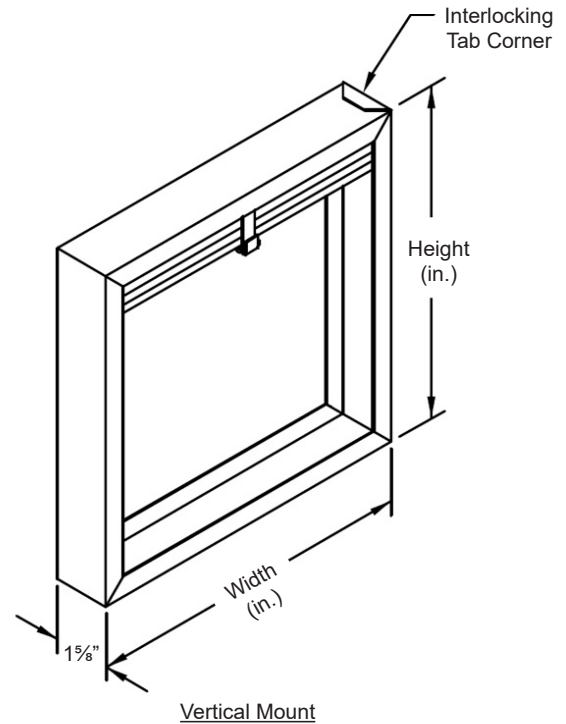
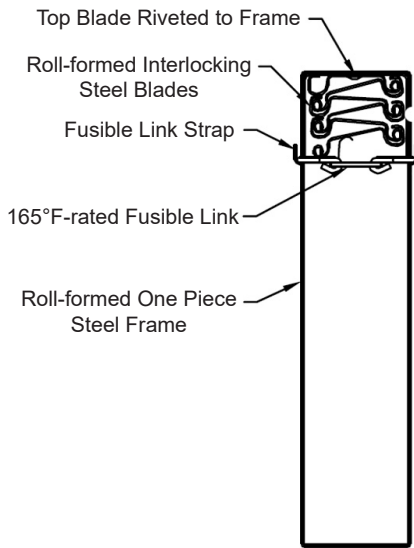



FILE # R16591



This fire damper meets the construction and performance requirements of:

- Underwriters Laboratories Inc. Standard 555
- National Fire Protection Association Standards 80, 90A, 101
- ICC's International Building Code
- California State Fire Marshal Listing #3225-1328:100
- Underwriters Laboratories Inc. Approved for or dual direction airflow and static closure conditions.
- Underwriters Laboratories Inc. Classified for use in fire resistive ratings of less than 3 hours.



|               |     |             |             |              |       |  |      |  |  |   |
|---------------|-----|-------------|-------------|--------------|-------|--|------|--|--|---|
|               |     |             |             |              |       |  |      |  |  |  |
| Item #        | Qty | Damper Size | Vertical    | 165°F        | 212°F |  |      |  |  |   |
|               |     |             | Orientation | Fusible Link |       |  |      |  |  | Union Made  |
| Arch. / Eng.: |     |             | EDR:        |              | ECN:  |  | Job: |  |  |   |
| Contractor:   |     |             |             |              |       |  |      |  |  |   |
| Project:      |     |             | Date:       |              | DWN:  |  | DWG: |  |  |   |

In the interest of product development, Louvers & Dampers reserves the right to make changes without notice.

www.louvers-dampers.com

450 Riverside Drive • Wyalusing PA, 18853 • Phone 570-746-1888 • Fax 570-746-9286



# Model 17SF

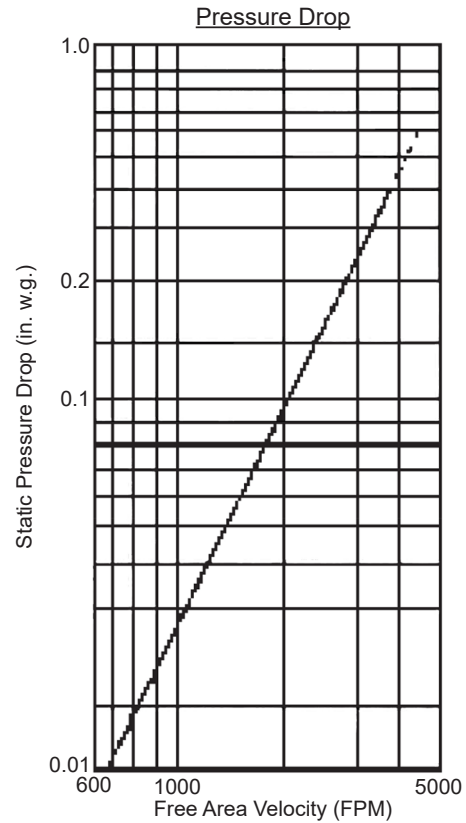
Thinline Fire Damper • 1½" Deep • 1½ Hr. Rated • Curtain Blade • Vertical Mount • Static Rated • Galvanized Steel

## PERFORMANCE DATA

Free Area (sq.ft.)

|              |    | Width (in.) |      |      |     |     |     |     |     |     |     |
|--------------|----|-------------|------|------|-----|-----|-----|-----|-----|-----|-----|
|              |    | 4           | 8    | 12   | 16  | 20  | 24  | 28  | 32  | 36  | 40  |
| Height (in.) | 4  | 0.03        | 0.08 | 0.1  | 0.2 | 0.2 | 0.3 | 0.3 | 0.4 | 0.4 | 0.5 |
|              | 8  | 0.1         | 0.2  | 0.4  | 0.5 | 0.6 | 0.8 | 0.9 | 1.0 | 1.2 | 1.3 |
|              | 12 | 0.2         | 0.4  | 0.6  | 0.8 | 1.1 | 1.3 | 1.5 | 1.8 | 2.0 | 2.2 |
|              | 16 | 0.2         | 0.5  | 0.8  | 1.2 | 1.5 | 1.8 | 2.1 | 2.4 | 2.7 | 3.1 |
|              | 20 | 0.3         | 0.7  | 1.10 | 1.5 | 1.9 | 2.3 | 2.8 | 3.2 | 3.6 | 4.0 |
|              | 24 | 0.3         | 0.8  | 1.3  | 1.8 | 2.3 | 2.8 | 3.3 | 3.8 | 4.3 | 4.8 |
|              | 28 | 0.4         | 1.0  | 1.6  | 2.2 | 2.8 | 3.5 | 4.1 | 4.7 | 5.3 | 5.9 |
|              | 32 | 0.4         | 1.1  | 1.8  | 2.5 | 3.2 | 3.9 | 4.5 | 5.2 | 5.9 | 6.6 |
|              | 36 | 0.5         | 1.3  | 2.1  | 2.8 | 3.6 | 4.4 | 5.2 | 6.0 | 6.8 | 7.5 |
|              | 40 | 0.5         | 1.4  | 2.3  | 3.2 | 4.0 | 4.9 | 5.8 | 6.6 | 7.5 | 8.4 |

$$\text{Free Area Velocity (FPM)} = \frac{\text{Flow (cfm)}}{\text{Free Area (sq.ft.)}}$$



This product was tested in accordance with AMCA Standard 500D, Figure 5.3.

Intake air converted to standard air density.